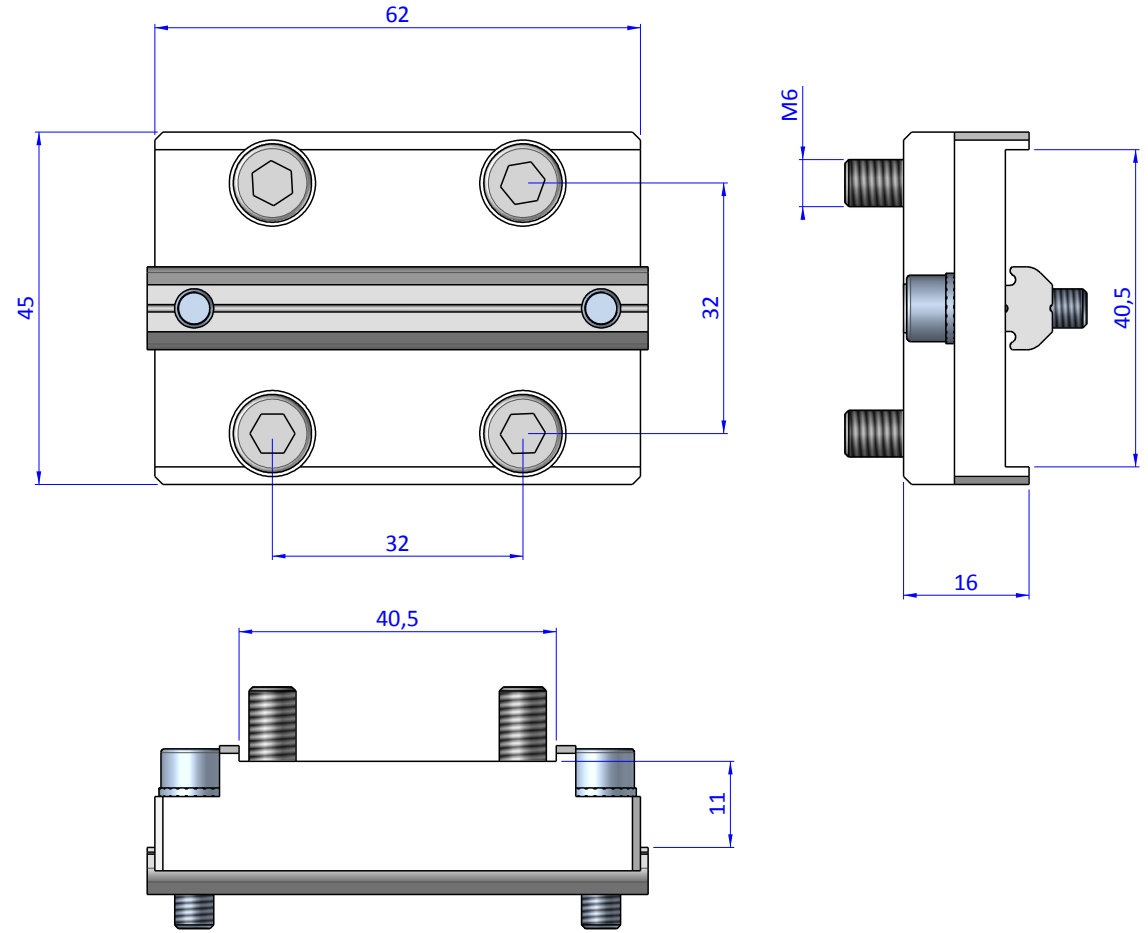
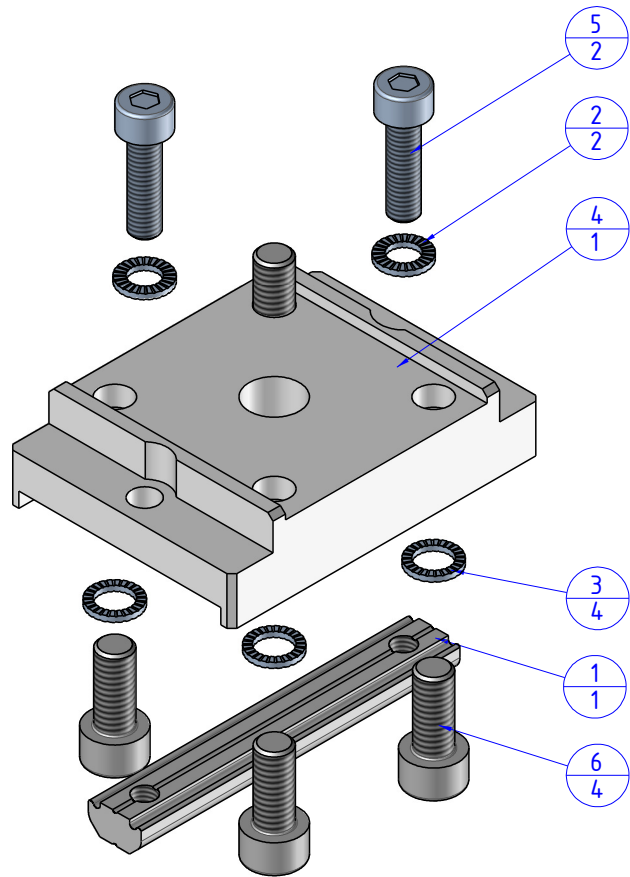


THE PROPERTY OF THE DRAWING IS ESTABLISHED BY LAW. IT IS FORBIDDEN TO PRODUCE OR SHOW IT TO THIRD PARTY, WITHOUT A WRITTEN AGREEMENT.

Item	Name	Q. ty
1	CA.GWP.5.52	1
2	R.5.SCH	2
3	R.6.SCH	4
4	SVB.JU.40.40	1
5	V.TCE5x18	2
6	V.TCE6x14	4



Format A3

UNI 936-76

		DESIGNED FROM	REVIEW
		FP SERVICES	A
GENERAL TOLERANCE	DESCRIPTION	DATE	WEIGHT
UNI - ISO 2768		30/04/2016	0,129kg
CLASSE f	CA.SVB.JU.40.40	CODE	CA.SVB.JU.40.40